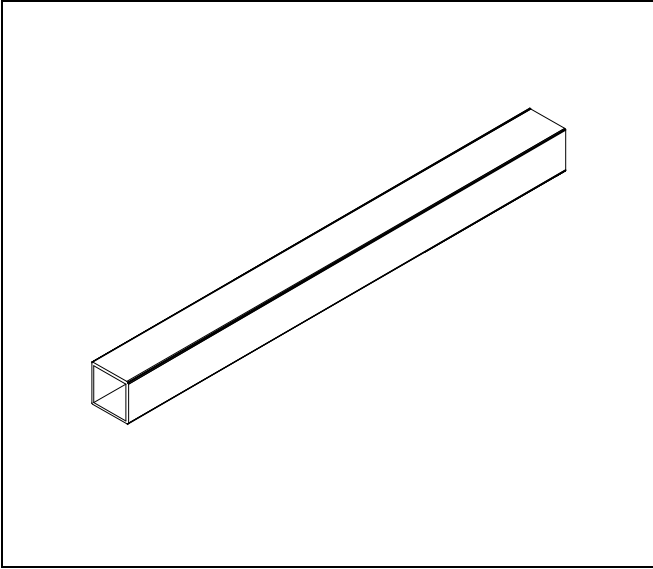




# PVC Cable Tray Supports

## Specification Sheet

### PVC Sleeper Cable Tray Supports



**PVC Sleeper Cable Tray Supports** – Is designed specifically for use on rooftop without adhesive, roof penetrations, flashings or damage to roofing system. PVC Sleeper Cable Tray Support is designed to support ASP Cable Trays 12”, 18” or 24”W. PVC Sleeper Supports are durable supports that never need painting, will not rot, warp, split or peel. Recommended distance between supports is 5’, unless specified otherwise. Use clamps to secure ASP Cable Trays.



#### Materials

**PVC Sleeper:** Vinyl with UV resistant additives

**LEED:** 80% recycled material

**Accessories:** Cable Tray Clamps; Protection Pads attached to bottom of Sleeper Supports

Model	Dimensions	
	Sleeper Length	Cable Tray Width
PVC18	18”L/45.7cm	12”W/30.5cm
PVC24	24”L/61.0cm	18”W/45.7cm
PVC30	30”L/76.2cm	24”W/61.0cm

#### Installation:

- A. Verify that roof surface is smooth and clean to extent needed to receive materials.
- B. Review approved final drawings to determine the locations of PVC Sleeper Supports.
- C. Clean surfaces to receive PVC Sleeper Supports removing any loose gravel and any foreign matter before setting PVC Sleeper Supports.
- D. Accurately locate and align pre-fabricated PVC Sleeper supports in locations specified as per approved shop drawings or as required herein and by site conditions to limit 5’ on center between supports. If Isolation pads are required, place under each PVC Sleeper Support.
- E. Should the roofing manufacturer require a separation sheet between the roof and the PVC Sleeper Support, place a separation sheet or protective pad conforming to the existing roof manufacturer’s system under each PVC Sleeper Support. Do not adhere to the roof system or to PVC Sleeper Support.
- F. Repeat until all supports supplied are installed in accordance with approved shop drawings.
- G. Remove any unused materials and packaging from job site.

This print/image and design and detail shown hereon is the property of Advanced Support Products, Inc. This print is furnished with the understanding that it is not to be reproduced without permission, and must be returned upon demand. All rights of design and invention are reserved by Advanced Support Products.

Patents #5816554 ; #6229497; #6427965; #6448497; #6578827 © 2010